

EM converterLED PRO 50 V

PRO series

Product description

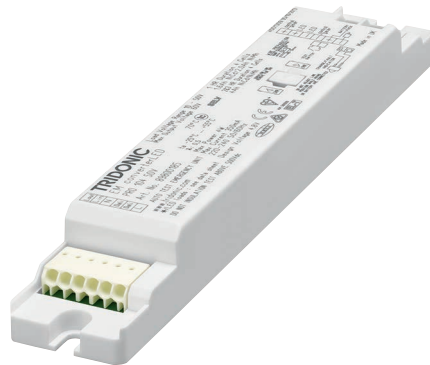
- Emergency lighting LED Driver with DALI interface and automatic test function
- For self-contained emergency lighting
- For LED modules with a forward voltage of 10 – 52 V
- SELV for output voltage < 60 V DC
- Low profile casing (21 x 30 mm cross-section)
- 5-year guarantee

Properties

- Non maintained operation
- DALI interface for controlled testing and monitoring
- 1, 2 or 3 h rated duration
- Operating time selectable with plug (duration link)
- For 2 h operation: first test 120 min, all other tests 90 min, rated duration
- Compatible with all dimmable and non-dimmable constant current LED Drivers (see 5.3, LED Driver compatibility)
- 3-pole technology: 2-pole LED module changeover and delayed power switching for the LED Driver
- Automatic shutdown of output if LED load is out of range
- Constant power output
- Maximum light output for all LED modules
- Addressing function, patented („EZ easy addressing“)
- Two-colour status display LED
- Electronic multi-level charge system
- Intermittent charge for NiMH batteries (pulse charge)
- “Rest mode” function
- Deep discharge protection
- Short-circuit-proof battery connection
- Polarity reversal protection for battery
- Tests:
 - Status of the battery
 - Status of the LED
 - Charge condition
 - Function test
 - Duration test

Batteries

- High-temperature cells
- NiCd or NiMH batteries
- D, Cs or LA cells
- 4-year design life
- 1-year guarantee
- For battery compatibility refer to chapter „Battery selection“



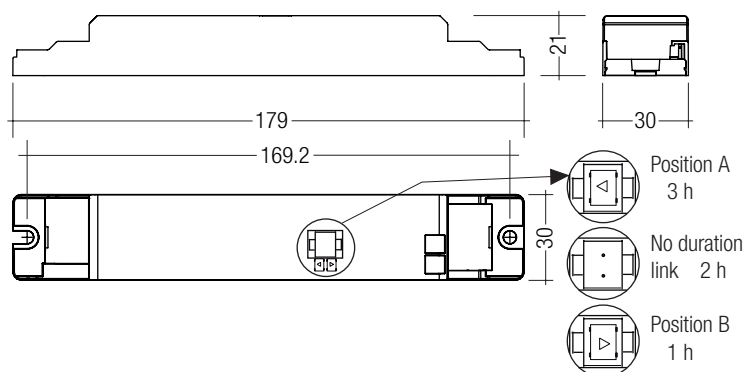
Standards, page 6

Wiring diagrams and installation examples, page 7



EM converterLED PRO 50 V

PRO series



Note: LED Driver supplied with duration link in 3 hours position. Duration link must be set before battery and mains connection. The EM converterLED PRO 134 NiCd is supplied without a duration link. The duration is set to 3 hours and cannot be changed.

Technical data

Rated supply voltage	220 – 240 V
Mains frequency	50 / 60 Hz
LED module forward voltage range	10 – 52 V
Output current	see page 6
Time to light	< 0.25 s from detection of emergency event
Overvoltage protection	320 V (for 1 h)
Maximum output voltage	60 V
Ambient temperature range t_a	-25 ... +55 °C
Max. casing temperature t_c	75 °C
Mains voltage changeover threshold	according to EN 60598-2-22
Type of protection	IP20

Ordering data

Type®	Article number	Rated duration	Number of cells	Packaging, carton	Packaging, pallet	Weight per pc.
EM converterLED PRO 103 50V	89800184	1/2/3 h	3	10 pc(s).	1,600 pc(s).	0.078 kg
EM converterLED PRO 104 50V	89800185	1/2/3 h	4	10 pc(s).	1,600 pc(s).	0.080 kg
EM converterLED PRO 134 NiCd 50V	89800186	3 h	4	10 pc(s).	1,600 pc(s).	0.080 kg
EM converterLED PRO 103 NiMH 50V	89800318	1/2/3 h	3	10 pc(s).	800 pc(s).	0.078 kg
EM converterLED PRO 104 NiMH 50V	89800319	1/2/3 h	4	10 pc(s).	800 pc(s).	0.080 kg

Specific technical data

Type [®]	Rated duration	Typ. λ (at 230 V, 50 Hz)	Typ. output power	Mains current in charging operation			Mains power in charging operation		
				Initial charge	Fast recharge	Trickle charge ^①	Initial charge	Fast recharge	Trickle charge ^①
EM converterLED PRO 103 50V	1 h	0.50c	2.45 W	20 mA	22 mA	16 mA	2.2 W	2.7 W	1.1 W
	2 h	0.50c	2.45 W	27 mA	27 mA	20 mA	3.5 W	3.7 W	2.0 W
	3 h	0.50c	2.45 W	27 mA	27 mA	20 mA	3.5 W	3.7 W	2.0 W
EM converterLED PRO 104 50V	1 h	0.50c	3.33 W	20 mA	25 mA	17 mA	2.5 W	3.1 W	1.7 W
	2 h	0.50c	3.33 W	27 mA	30 mA	20 mA	4.0 W	4.3 W	2.2 W
	3 h	0.50c	3.33 W	27 mA	30 mA	20 mA	4.0 W	4.3 W	2.2 W
EM converterLED PRO 134 NiCd 50V	3 h	0.50c	1.33 W	20 mA	25 mA	17 mA	2.5 W	3.1 W	1.7 W
EM converterLED PRO 103 NiMH 50V	1 h	0.45c	2.45 W	28 mA	30 mA	24 / 22 mA	2.3 W	3.1 W	1.7 / 1.4 W
	2 h	0.45c	2.45 W	34 mA	36 mA	28 / 22 mA	3.9 W	4.4 W	2.3 / 1.4 W
	3 h	0.45c	2.45 W	34 mA	36 mA	28 / 22 mA	3.9 W	4.4 W	2.3 / 1.4 W
EM converterLED PRO 104 NiMH 50V	1 h	0.50c	3.33 W	27 mA	28 mA	23 / 22 mA	2.2 W	2.8 W	1.7 / 1.5 W
	2 h	0.50c	3.33 W	32 mA	33 mA	27 / 22 mA	3.5 W	3.9 W	2.2 / 1.5 W
	3 h	0.50c	3.33 W	32 mA	33 mA	27 / 22 mA	3.5 W	3.9 W	2.2 / 1.5 W

^① In case of 2 values: Intermittent charge is used. Value 1 is for 4 min. charge on / Value 2 is for 16 min. charge off

[®] EM = Emergency

RoHS

ACCES-
SORIES

Test switch EM3

Product description

- For connection to the emergency lighting unit
- For checking the device function
- Plug connection



Ordering data

Type	Article number	Packaging, bag	Packaging, carton	Weight per pc.
Test switch EM 3	89899956	25 pc(s).	200 pc(s).	0.013 kg

ACCES-
SORIES

Status indication bi-colour LED

Product description

- Two-colour status display LED
- Green: system OK, red: fault
- Plug connection



Ordering data

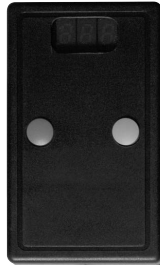
Type	Article number	Packaging, bag	Packaging, carton	Weight per pc.
LED EM bi-colour, 1.0 m CON	89800273	25 pc(s).	200 pc(s).	0.015 kg
LED EM bi-colour, high brightness HO 1.0 m CON	89800275	25 pc(s).	200 pc(s).	0.015 kg
LED EM bi-colour, 0.6 m CON	89800474	25 pc(s).	200 pc(s).	0.005 kg
LED EM bi-colour, high brightness HO 0.6 m CON	89800475	25 pc(s).	200 pc(s).	0.005 kg
LED EM bi-colour, 0.3 m CON	89800274	25 pc(s).	200 pc(s).	0.005 kg
LED EM bi-colour, high brightness HO 0.3 m CON	89800276	25 pc(s).	200 pc(s).	0.005 kg

Product description

- Provides simple addressing for all PRO units
- Uses the bi-colour LED for device identification

Properties

- Takes standard 9 V battery
- Easy two button operation
- Belt clip
- Auto power off to conserve battery
- Bright 7 segment LED display

**Ordering data**

Type	Article number	Packaging, carton	Weight per pc.
EM PRO addressing tool	89899836	1 pc(s).	0.08 kg

1. Standards

- according to EN 50172
- according to EN 60598-2-22
- EN 61347-1:2008+A2:2013
- EN 61347-2-13
- EN 61347-2-7
- EN 55015
- EN 61000-3-2
- EN 61000-3-3
- EN 61547
- EN 60068-2-64
- EN 60068-2-29
- EN 60068-2-30
- EN 62384
- DALI standard EN 62386-202
- EN 62034

Meaning of marking

Double or reinforced insulation for built-in electronic LED Drivers

1.1 Glow-wire test

according to EN 61347-1 with increased temperature of 850 °C passed.

1.2 Isolation and electric strength testing of luminaires

Electronic LED-Drivers can be damaged by high voltage. This has to be considered during the routine testing of the luminaires in production.

According to IEC 60598-1 Annex Q (informative only!) or ENEC 303-Annex A, each luminaire should be submitted to an isolation test with 500 V_{DC} for 1 second. This test voltage should be connected between the interconnected phase and neutral terminals and the earth terminal. The isolation resistance must be at least 2 M Ω .

As an alternative, IEC 60598-1 Annex Q describes a test of the electrical strength with 1,500 V_{AC} (or 1,414 x 1,500 V_{DC}). To avoid damage to the electronic devices this test **must not be conducted**.

2. Thermal details and life-time

2.1 Life-time

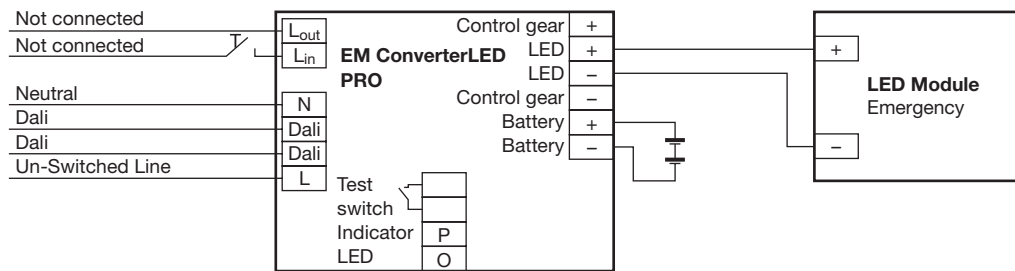
Average life-time 50,000 hours under rated conditions with a failure rate of less than 10 %. Average failure rate of 0.2 % per 1000 operating hours.

3. Installation / Wiring

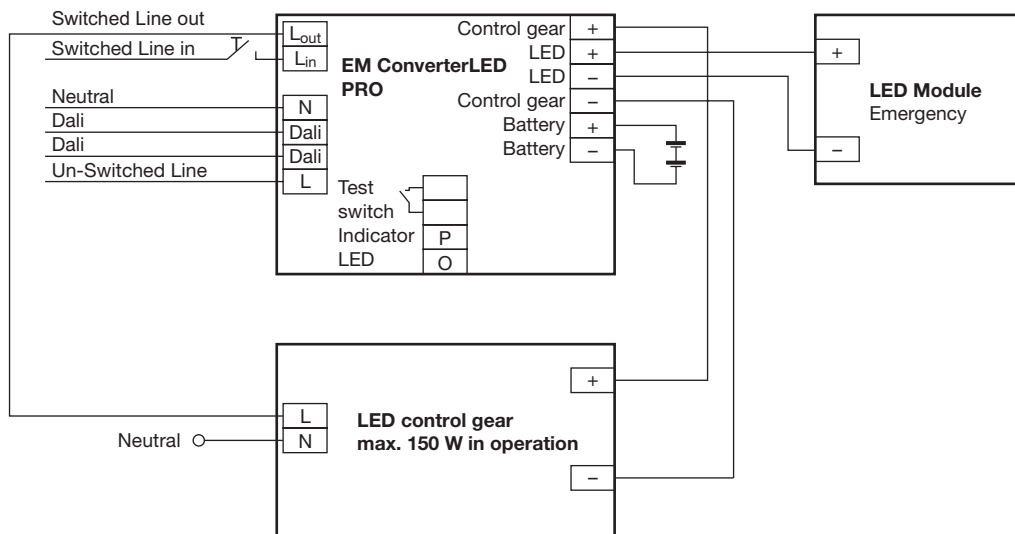
3.1 Wiring diagram

One or more LED modules with a total forward voltage of 10 to 50 V can be connected to the EM converterLED 50V module. These LED module(s), marked with "Emergency" are operated in emergency mode from the associated battery. In normal mains mode all LED modules are operated by the mains LED Driver.

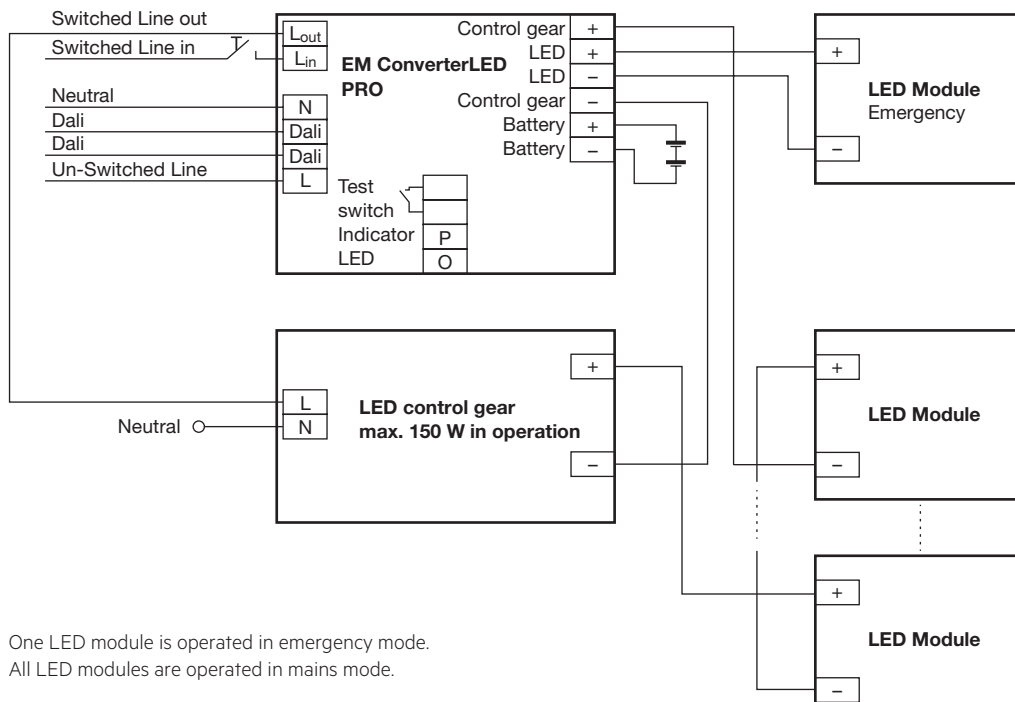
EM converterLED PRO with one LED module for non-maintained emergency operation



EM converterLED PRO with a standard LED LED Driver and one LED module for mains and emergency operation

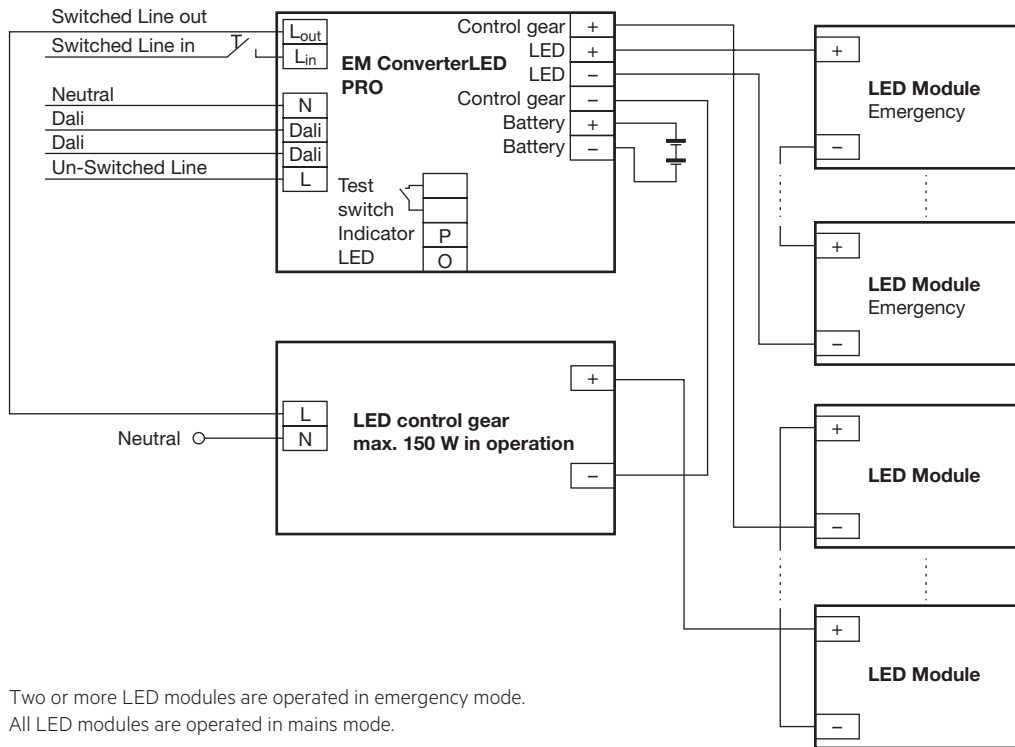


EM converterLED PRO with a standard LED LED Driver and series operation of LED modules



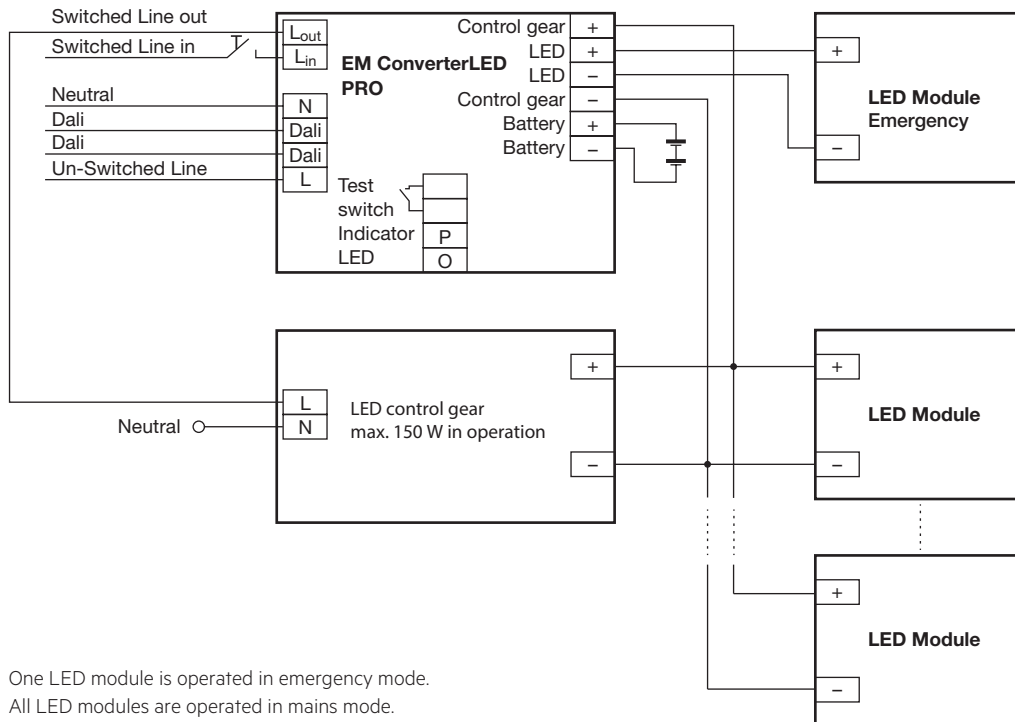
One LED module is operated in emergency mode.
All LED modules are operated in mains mode.

EM converterLED PRO with a standard LED LED Driver and series operation of LED modules



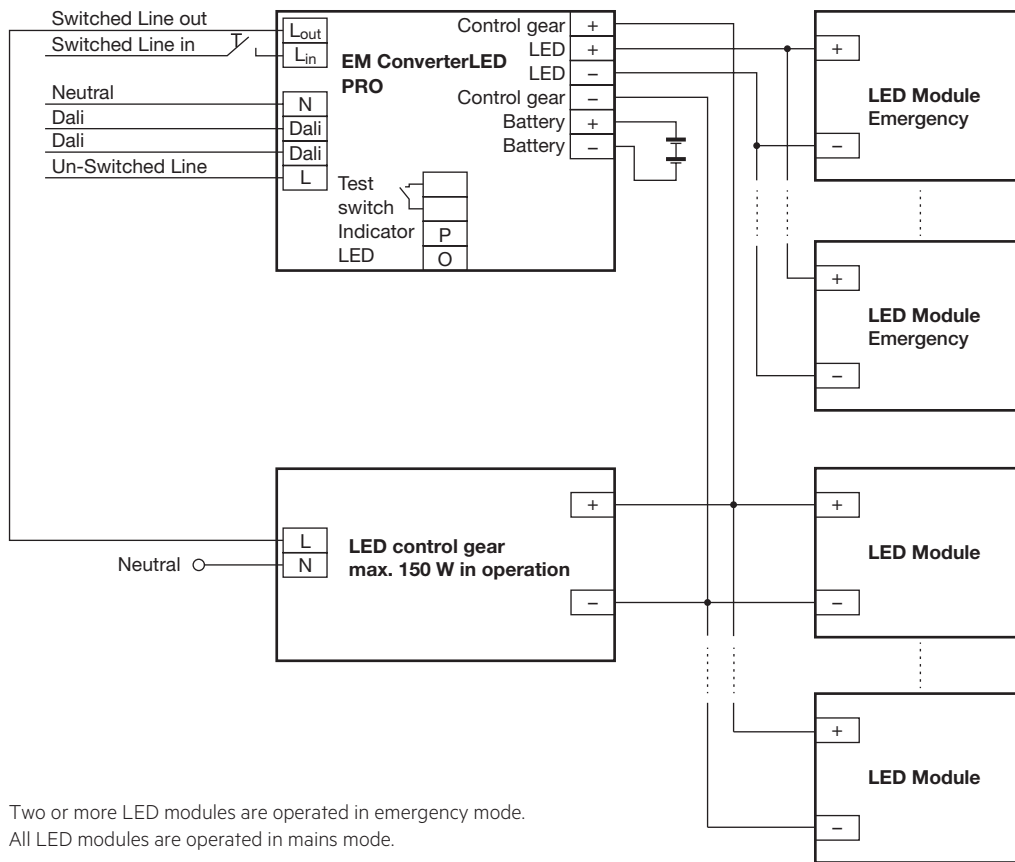
Two or more LED modules are operated in emergency mode.
All LED modules are operated in mains mode.

EM converterLED PRO with a standard LED LED Driver and parallel operation of LED modules



One LED module is operated in emergency mode.
All LED modules are operated in mains mode.

EM converterLED PRO with a standard LED LED Driver and parallel operation of LED modules

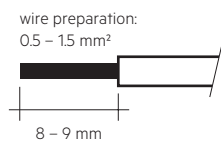


Two or more LED modules are operated in emergency mode.
All LED modules are operated in mains mode.

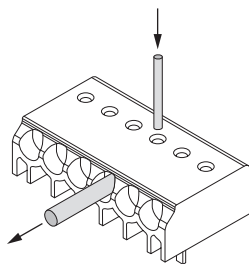
3.2 Wiring type and cross section

Solid wire with a cross section of 0.5 – 1.5 mm². Strip 8 – 9 mm of insulation from the cables to ensure perfect operation of terminals.

Wiring: LED module/LED Driver/supply



3.3 Loose wiring



Loosen wire through twisting and pulling or using a Ø 1 mm release tool

3.4 Wiring guidelines

- The LED terminals, battery, indicator LED and test switch terminals are classified as SELV (output voltage < 60 V DC). Keep the wiring of the input terminals separated from the wiring of the SELV equivalent terminals or consider special wiring (double insulation, 6 mm creepage and clearance) when these connections should be kept SELV.
- The output to the LED is DC but has high frequency content, which should be considered for good EMC compliance.
- LED leads should be separated from the mains and DALI connections and wiring for good EMC performance.
- Maximum lead length on the LED terminals is 3 m. For a good EMC performance keep the LED wiring as short as possible.
- Maximum lead length for the Test switch and Indicator LED connection is 1 m. The test switch and Indicator LED wiring should be separated from the LED leads to prevent noise coupling.
- Battery leads are specified with 0.5 mm cross section and a length of 1.3 m
- DALI terminals are mains proof
- To avoid the damage of the control gear, the wiring must be protected against short circuits to earth (sharp edged metal parts, metal cable clips, louver, etc.)

To ensure that a luminaire containing LED emergency units complies with EN 55015 for radio frequency conducted interference in both normal and emergency mode it is essential to follow good practice in the wiring layout.

Within the luminaire the switched and unswitched 50 Hz supply wiring must be routed as short as possible and be kept as far away as possible from the LED leads. Through wiring may affect the emc performance of the luminaire.

The length of LED leads to the LED module must not be exceeded. Note that the length of the EM converterLED leads to the LED module is added to the length of the leads from the LED Driver to the EM converterLED module when considering the max. permitted lead length of the LED Driver.

3.5 Maximum lead length

LED 3 m^①
 Status indication LED 1 m
 Batteries 1.3 m

^① Note: The length of LED leads to the LED module must not be exceeded. Note that the length of the EM converterLED leads is added to the length of the leads from the LED Driver to the EM converterLED module when considering max. permitted lead length of the LED Driver. Leads should always be kept as short as possible.

3.6 Use of different phases

The use of different phases for switched line and unswitched line is allowed. When using different phases, the unswitched line must fail if the switched line fails. This is required to assure correct switching into emergency mode. It can be realised with a relay.

3.7 EM FLT1 filter

When the EM converterLED is used in a remote application, where the lamp leads and LED indicator leads are routed together in close proximity, it is possible to have electrical interference picked up in the indicator leads.

Under certain conditions this interference can cause a lock-up of the EM converterLED micro-controller.

To overcome this problem in such applications it is necessary to fit the filter EM FLT1 between the indicator LED and the EM converterLED unit. To be effective the filter must be connected close to the EM converterLED module.

For further information please contact Tridonic.

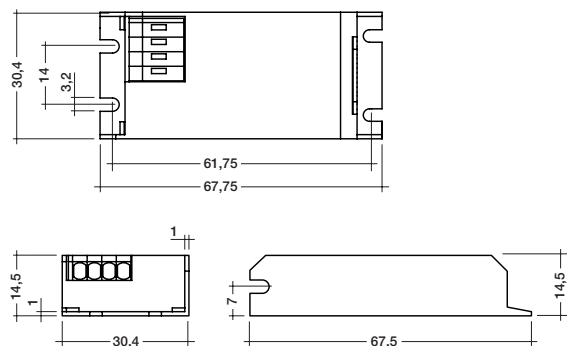
Technical data:

Push wire terminals 0.5–1.5 mm² solid conductor

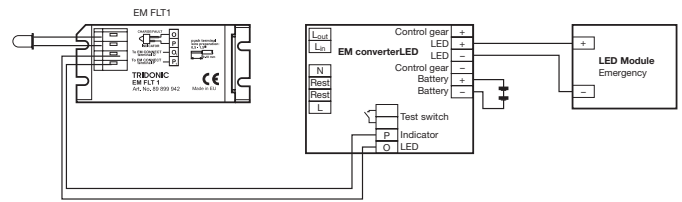
Ordering data

Type	Article number	Packaging, carton	Packaging, pallet	Weight per pcs.
EM FLT1	89899942	50 pieces	1,000 pieces	0.022 kg

EM FLT1 filter



Circuit diagram with EM FLT1 filter



4. Mechanical values

4.1 Housing properties

Casing manufactured from polycarbonate.

4.2 Mechanical data accessories

LED status indicator

- Bi-colour
- Mounting hole 6.5 mm dia
- Lead length 0.3 m / 1.0 m
- Insulation rating: 90 °C
- Plug connection

Test switch

- Mounting hole 7.0 mm dia
- Lead length 0.55 m
- Plug connection

Battery leads

- Quantity: 1 red and 1 black
- Length: 1.3 m
- Wire type: 0.5 mm² solid conductor
- Insulation rating: 90 °C

Battery end termination

Push on 4.8 mm receptacle to suit battery spade fitted with insulating cover

Module end termination

8.0 mm stripped insulation

Two-piece batteries are supplied with a 200 mm lead with 4.8 mm receptacle at each end and insulating covers to connect the separate sticks together.

5. Electrical values

5.1 Maximum loading of automatic circuit breakers

Automatic circuit breaker type	B10	B13	B16	B20	C10	C13	C16	C20	Inrush current	
Installation Ø	1.5 mm ²	1.5 mm ²	1.5 mm ²	2.5 mm ²	1.5 mm ²	1.5 mm ²	1.5 mm ²	2.5 mm ²	I_{max}	time
EM converterLED 103 PRO 50V	90	130	130	130	180	260	260	260	10 A	120 µs
EM converterLED 104 PRO 50V	90	130	130	130	180	260	260	260	10 A	120 µs

5.2 Typ. LED current/voltage characteristics

The LED current in emergency mode is automatically adjusted by the EM converterLED module based on the total forward voltage of the LED modules connected and the associated battery.

EM converterLED PRO 103 50V / EM converterLED PRO 103 NiMH 50V

Article number: 89800184 / 89800318

3.6 V battery voltage

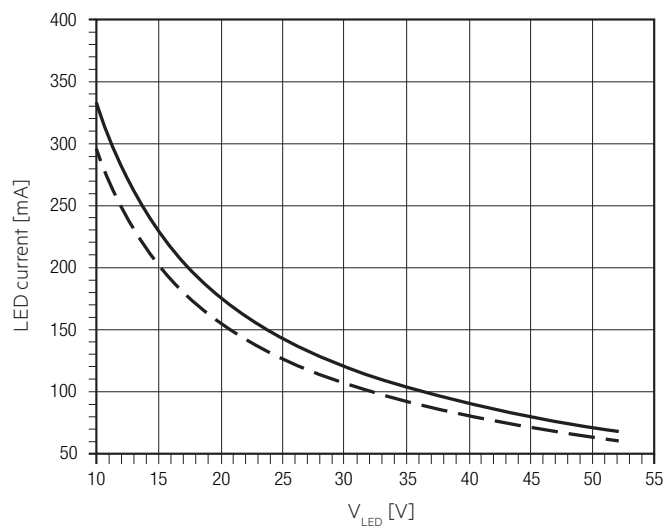
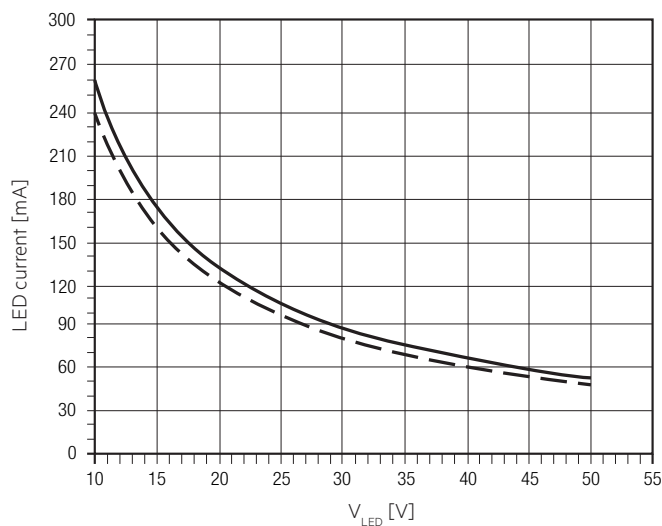
850 – 960 mA battery discharge current (tolerance)

EM converterLED PRO 104 50V / EM converterLED PRO 104 NiMH 50V

Article number: 89800185 / 89800319

4.8 V battery voltage

850 – 960 mA battery discharge current (tolerance)

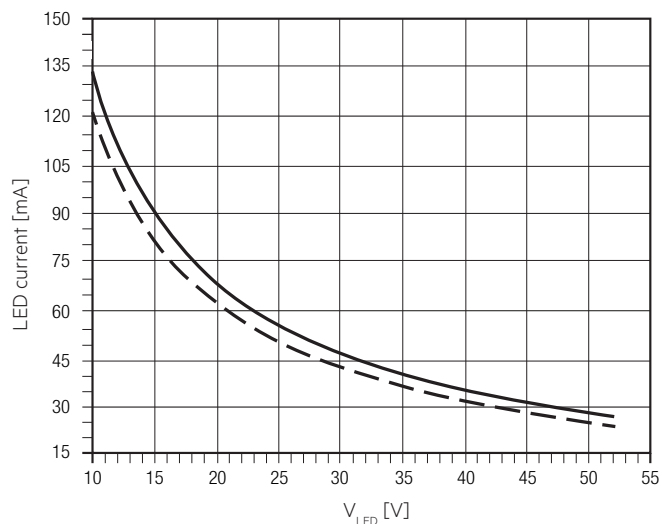




EM converterLED PRO 134 NiCd 50V

Article number: 89800186

4.8 V battery voltage

360 – 400 mA battery discharge current (tolerance)



 LED current at nominal battery voltage and min. battery discharge current
 LED current at nominal battery voltage and max. battery discharge current

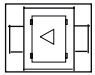
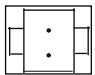
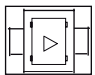
5.3 LED Driver compatibility

The EM converterLED emergency unit use 3 pole technology and is compatible with most LED Drivers on the market, however it is important to check that the rating of the LED Driver does not exceed the values specified below:

- The max. allowed output current rating of the associated LED Driver is 2.4 A peak (current rating of switching relays of EM converterLED)
- The max. allowed inrush current rating of the associated LED Driver is 60 A peak for 1 ms or 84 A for 255 µs (inrush current rating of switching relay of EM converterLED)
- The max. allowed output voltage of the associated LED Driver applied to the EM converterLED output is 450V (voltage withstand between adjacent contact of the single switching relay of the EM converterLED)
- The max. allowed LED load of the associated LED Driver is 150 W in operation. The load must be an LED module.

6. Functions

6.1 Duration link selection

Duration	Link position
3 hr	 Position A
2 hr	 No duration link
1 hr	 Position B

Module supplied with duration link in 3 hours position (position A).

The position of the link will only be read on first power up. If it is changed afterwards both the battery and mains supply must be disconnected for 10 seconds to enable the EM converterLED to read the new link position on reconnection of the battery and mains. It will lead to a false battery failure indication if the link is changed after installation without this reset.

6.2 Status indication

System status is indicated by a bi-colour LED and by a DALI status flag.

LED indication	Status	Comment
Permanent green	System OK	AC mode
Fast flashing green (0,1 sec on – 0,1 sec off)	Function test underway	
Slow flashing green (1 sec on – 1 sec off)	Duration test underway	
Red LED on	Load failure	Open circuit / Short circuit / LED failure
Slow flashing red (1 sec on – 1 sec off)	Battery failure	Battery failed the duration test or function test / Battery is defect or deep discharged/ Incorrect battery voltage
Fast flashing red (0,1 sec on – 0,1 sec off)	Charging failure	Incorrect charging current
Double pulsing green	Inhibit mode	Switching into inhibit mode via controller
Binary transmission of address via green/red LED	Address identification	During address identification mode
Green and red off	DC mode	Battery operation (emergency mode)

6.3 Testing

DALI Control

A DALI command from a suitable control unit can be used to initiate function and duration tests at individually selected times. Status flags are set for report back and data logging of results.

When a DALI bus has not been connected or when a DALI bus is connected but the DALI default DELAY and INTERVAL times have not been re-set by sending appropriate DALI commands, then the EM converterLED PRO will conduct self-tests in accordance with the default times set within the EEPROM.

These default times are factory pre-set, in accordance with the DALI standard EN 62386-202, to conduct an automatic function test every 7 days and a duration test every 52 weeks. Since the DELAY time is factory pre-set to Zero, all units are tested at the same time. Test times can be changed with a command over the DALI bus.

The DELAY and INTERVAL time values must be re-set when the emergency system test times are to be scheduled by a DALI control and monitoring system.

Note that once the default values have been set to Zero, tests will only be conducted following a command from the control system. If the DALI bus is disconnected the EM converterLED PRO does not revert to self-testing mode.

Note: If the battery is connected the DALI communication is only possible after power reset.

Addressing

The EM converterLED PRO includes the EZ easy addressing system which allows addressing and identification by using the bi-colour LED in conjunction with the EM PRO addressing tool. Binary address codes given by the LED can be simply converted to the DALI addresses 0 to 63. For single handed addressing using this method it is necessary to send a broadcast ident command every 3 to 9 seconds. During this command the LEDs will be switched off and the indication LED will flash the 6 bit binary address preceded by a 3 second start indication period.

Commissioning

After installation of the luminaire and initial connection of the mains supply and battery supply to the EM converterLED PRO the unit will commence charging the batteries for 20 hours (initial charge). Afterwards the module will conduct a commissioning test for the full duration. The 20 hours recharge occurs also if a new battery is connected or the module exits the rest mode condition. The following automatic commissioning duration test is only performed when a battery is replaced and fully charged (after 20 hrs) and the interval time is not set to zero, otherwise the system is expected to perform the testing.

Functional test

The time of day and frequency of the 5 seconds function test can be set by the DALI controller. The default setting is a 5 seconds test on a weekly basis.

Duration test

The time of day and frequency of the duration test can be set by the DALI controller. The default setting is a duration test conducted every 52 weeks.

For 2 h operation:

The first commissioning duration test has a time of 120 minutes, subsequent through life tests are conducted for 90 minutes. When the battery is changed or disconnected and re-connected the unit will next conduct a 120 minute test.

Prolong time

Prolong time can be set by the DALI controller. This is the delay time between return of the mains supply and the end of the emergency operation. The default prolong time is set as 0 minutes as specified within the DALI standard.

Indicator LED will stay off for the duration of the prolong time.

Rest Mode / Inhibit Mode

Emergency operation is automatically started when the mains supply is switched off. If the Rest Mode is activated, the discharging of the battery will be minimized by switching off the LED output. If the Inhibit Mode has been activated before the mains supply is switched off, Rest Mode will be automatically switched on if the mains supply is switched off within 15 minutes. Rest Mode and Inhibit Mode can be initiated by the DALI controller. The REST command has to be sent after the mains supply has been disconnected and whilst the EM converterLED PRO is in emergency operation. The INHIBIT command has to be sent while the EM converterLED PRO is supplied by mains. After a mains reset the EM converterLED PRO exits the Rest Mode. Rest Mode and Inhibit Mode can both be disabled by sending the RE-LIGHT/RESET INHIBIT command.

Test switch

An optional test switch can be wired to each EM converterLED ST. This can be used to to:

- Initiate a 5 seconds function test: press 200 ms < T < 1 s
- Execute function test as long as switch pressed: press > 1 s
- Reset selftest timer (adjust local timing): press > 10 s

Timer reset functionality

The timer for function and duration test can be set to a particular time of the day by either pressing the test switch for longer than 10 seconds or cycling the unswitched line supply 5 times within 1 minute. The timer adjustment will enable the test start time to be defined manually at time in day when the timer was reset. It will also disable the adaptive test algorithm thereby forcing the unit to perform the test at the same time rather than it being defined by the adaptive algorithm. This function will only work provided the interval time is greater than zero (automatic test mode enabled). The delay timer value set when the unit was commissioned will be reloaded in order to randomise the tests between adjacent units.

DALI Controller

DALI controllers and hardware/software solutions are available from Tridonic. Please refer to the Lighting controls section.

7. Battery data

7.1 Battery selection

EM converterLED PRO, 1 / 2 / 3 h

			Type	EM converterLED PRO 103 50V	EM converterLED PRO 104 50V	EM converterLED PRO 134 50V	EM converterLED PRO 103 NiMH 50V	EM converterLED PRO 104 NiMH 50V	
			Article no.	89800184	89800185	89800186	89800318	89800319	
			Cells	3 cells	4 cells	4 cells	3 cells	4 cells	
			Duration	1 h	2 / 3 h	3 h	1 h	2 / 3 h	
Technology and capacity	Design	Number of cells	Type	Article no.	Assignable batteries				
NiCd 1.6 Ah Cs cells	stick	1 x 3	Accu-NiCd C 3A	89899743	•				
	stick	1 x 4	Accu-NiCd C 4A	89899692		•			
	stick + stick	2 + 2	Accu-NiCd C 4C	89899694		•			
	side by side	4 x 1	Accu-NiCd C 4B	89899693		•			
NiCd 4 Ah D cells	stick	1 x 3	Accu-NiCd 3A	89895960		•			
	stick	1 x 4	Accu-NiCd 4A 55	89800089			•		
	side by side	3 x 1	Accu-NiCd 3B 55	89800384		•			
	side by side	4 x 1	Accu-NiCd 4B 55	89800385			•		
NiMH 2.2 Ah Cs cells	stick	1 x 3	Accu-NiMH 3A	28002088			•		
	stick	1 x 4	Accu-NiMH 4A	28002089		•		•	
NiMH 4 Ah LA cells	stick	1 x 3	Accu-NiMH 4Ah 3A CON	89800441		•		•	
	stick	1 x 4	Accu-NiMH 4Ah 4A CON	89800442			•		•
	stick + stick	2 + 2	Accu-NiMH 4Ah 4C CON	89800438		•			•

7.2 Battery charge / discharge data

EM converterLED PRO, 1 / 2 / 3 h

Type		EM converterLED PRO 103 50V		EM converterLED PRO 104 50V		EM converterLED PRO 134 50V	EM converterLED PRO 103 NiMH 50V		EM converterLED PRO 104 NiMH 50V		
Article no.		89800184		89800185		89800186	89800318		89800319		
Cells		3 cells		4 cells		4 cells	3 cells		4 cells		
Duration		1 h	2 / 3 h	1 h	2 / 3 h	3 h	1 h	2 / 3 h	1 h	2 / 3 h	
Initial charge							20 h				
Battery charge time	Fast recharge	10 h	15 h [®]	10 h	15 h [®]	10 h	10 h	15 h [®]	10 h	15 h [®]	
	Trickle charge	continuously									
Charge current	Initial charge	130 mA	300 mA	130 mA	300 mA	130 mA	130 mA	300 mA	130 mA	300 mA	
	Fast recharge	210 mA	330 mA	210 mA	330 mA	210 mA	210 mA	330 mA	210 mA	330 mA	
	Trickle charge	50 mA	130 mA	50 mA	130 mA	50 mA	130 mA / 4 min. 0 mA / 16 min.	200 mA / 4 min. 0 mA / 16 min.	130 mA / 4 min. 0 mA / 16 min.	200 mA / 4 min. 0 mA / 16 min.	
Discharge current		850 – 960 mA	850 – 960 mA	850 – 960 mA	850 – 960 mA	360 – 400 mA	850 – 960 mA	850 – 960 mA	850 – 960 mA	850 – 960 mA	

[®] 2 h emergency operation can be achieved after 12 h of charging.

7.3 Accu-NiCd

1.6 Ah

Battery voltage/cell	1.2 V
Cell type	Cs
Case temperature range to ensure 4 years design life	+5 °C to +50 °C
Max. short term temperature (reduced life-time)	70 °C
Max. number discharge cycles	4 cycles per year plus 4 cycles during comissioning
Max. storage time	6 months

4.2 / 4.5 Ah

Battery voltage/cell	1.2 V
Cell type	D
Case temperature range to ensure 4 years design life	5 °C to +55 °C
Max. short term temperature (reduced life-time)	70 °C
Max. number discharge cycles	4 cycles per year plus 4 cycles during comissioning
Max. storage time	6 months

7.4 Accu-NiMh

2.2 Ah

Battery voltage/cell	1.2 V
Cell type	Cs
Case temperature range to ensure 4 years design life	
When used with EM converterLED PRO xx 50V	+5 °C to +50 °C
When used with EM converterLED PRO xx NiMH 50V	+5 °C to +55 °C
Max. short term temperature (reduced life-time)	70 °C
Max. number discharge cycles	4 cycles per year plus 30 cycles during comissioning
Max. storage time	6 months

4.0 Ah

Battery voltage/cell	1.2 V
Cell type	LA
Case temperature range to ensure 4 years design life	
When used with EM converterLED PRO xx 50V	+5 °C to +45 °C
When used with EM converterLED PRO xx NiMH 50V	+5 °C to +50 °C
Max. short term temperature (reduced life-time)	70 °C
Max. number discharge cycles	4 cycles per year plus 30 cycles during comissioning
Max. storage time	6 months

7.5 Wiring batteries

Connection method: 4.8 x 0.5 mm spade tag welded to end of cell.

For stick packs this connection is accessible after the battery caps have been fitted.

To inhibit inverter operation disconnect the batteries by removing the connector from the battery spade tag.

For further information refer to corresponding battery datasheet.

7.6 Storage, installation and commissioning

Relevant information about storage conditions, installation and commissioning are provided in the battery datasheets.

8. Miscellaneous

8.1 Additional information

Additional technical information at www.tridonic.com → Technical Data

Guarantee conditions at www.tridonic.com → Services

Life-time declarations are informative and represent no warranty claim.
No warranty if device was opened.