

**PC BASIC sl, 4 – 28 W**

PC BASIC



**Product description**

- \_ CELMA Energy Efficiency Index A2
- \_ Nominal life-time up to 50,000 h (at  $t_a$  50 °C with a failure rate  $\leq$  0.2 % per 1,000 h)
- \_ Large temperature range (for values see table)
- \_ Automatic start after replacement of defective lamps
- \_ Safety shutdown of defective lamps and at end of lamp life
- \_ Temperature protection as per EN 61347-2-3 C5e

**Website**

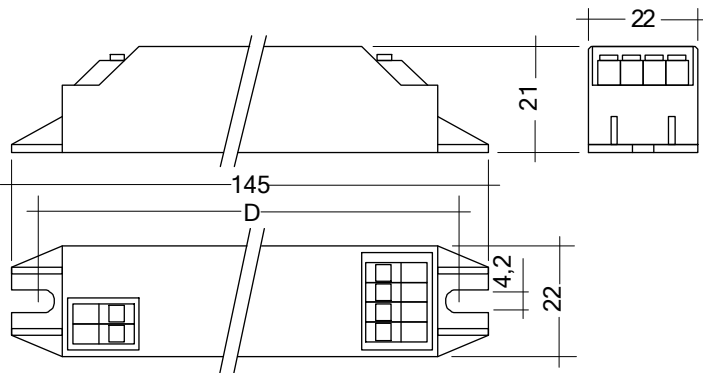
<http://www.tridonic.com/22176001>



## PC BASIC sl, 4 – 28 W

PC BASIC

The complete data sheet for this product is available in the Downloads section.



## Ordering data

Type	Article number	Packaging, carton	Packaging, low volume	Packaging, high volume	Weight per pc.
<b>For luminaires with 1 lamp</b>					
PC 1x14-21 W BASIC sl	22176001	25 pc(s).	1,150 pc(s).	8,050 pc(s).	0.050 kg

## Technical data

AC voltage range	198 – 264 V
DC voltage range	176 – 264 V (lamp start $\geq$ 198 V DC)
Overvoltage protection	270 V AC, 360 h
Defined warm start	$\leq$ 2 s
Operating frequency	$\geq$ 40 kHz
Type of protection	IP20

## Approval marks



## Standards

EN 55015, EN 61000-3-2, EN 61347-2-3, EN 61347-2-4, EN 61547

## Specific technical data

Lamp wattage	Lamp type	Type	Article number	Dimensions L x W x H	Hole spacing D	Lamp power	Circuit power	EEI	Current at 50 Hz		$\lambda$ at 50 Hz		tc point max.	Ambient temperature $t_a$
									220 V	240 V	220 V	240 V		
<b>For luminaires with 1 lamp</b>														
1 x 14 W	T16 (T5)	PC 1x14-21 W BASIC sl	22176001	145 x 22 x 21 mm	136 mm	12.5 W	14.5 W	A2	0.117 A	0.120 A	0.58C	0.57C	85 °C	-25 ... +60 °C
1 x 21 W	T16 (T5)	PC 1x14-21 W BASIC sl	22176001	145 x 22 x 21 mm	136 mm	17.5 W	20.0 W	A2	0.147 A	0.151 A	0.60C	0.60C	85 °C	-25 ... +60 °C

① Art. no. 22176002, lamp type TC-DD: For enclosed luminaires to fulfil the requirement of circuit power  $\leq$  25 W according to EN 61000-3-2. For AC operation only.