

PC INDUSTRY, 36 – 80 W

PC INDUSTRY



Product description

- _ CELMA Energy Efficiency Index A2
- _ T5: Nominal life-time up to 200,000 h (at t_a 50 °C with a failure rate \leq 0.05 % per 1,000 h)
- _ T8: Average life = 100,000 hours (at max t_a -10 °C and a failure rate of \leq 0.1 % per 1,000 hours). Average life = 50,000 hours (at max t_a with a failure rate of \leq 0.2% per 1,000 hours)
- _ Large temperature range (for values see table)
- _ Suitable for mains voltage peaks (burst/surge) up to 4 kV
- _ Constant luminous flux irrespective of fluctuations in mains voltage
- _ For luminaires of protection class I and protection class II
- _ Automatic start after replacement of defective lamps
- _ Safety shutdown of defective lamps and at end of lamp life
- _ Insulation Displacement Connection (IDC) terminal for rapid automatic or manual wiring
- _ For emergency lighting systems as per EN 50172
- _ For luminaires with M and MM as per EN 60598, VDE 0710 and VDE 0711
- _ Temperature protection as per EN 61347-2-3 C5e
- _ 8-year guarantee

Website

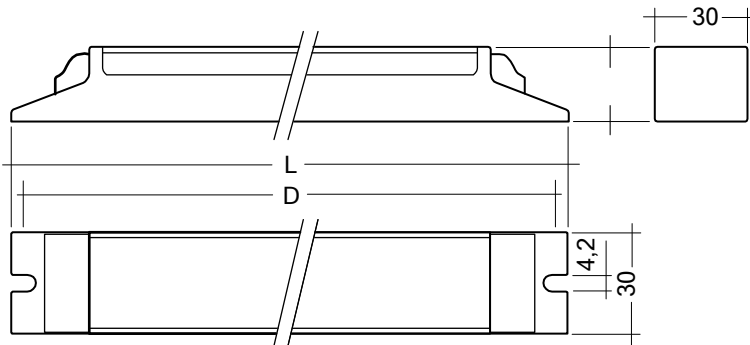
<http://www.tridonic.com/89800452>



PC INDUSTRY, 36 – 80 W

PC INDUSTRY

The complete data sheet for this product is available in the Downloads section.



Ordering data

Type	Article number	Packaging, carton	Packaging, low volume	Weight per pc.
For luminaires with 1 lamp				
PC 1/36 T8 INDUSTRY	89800452	25 pc(s).	600 pc(s).	0.418 kg

Technical data

Mains voltage range	220 – 240 V
AC voltage range	198 – 264 V
DC voltage range	176 – 280 V (lamp start \geq 198 V DC)
Mains frequency	0 / 50 / 60 Hz
Overvoltage protection	320 V AC, 1 h
Defined warm start	\leq 1.5 s
Operating frequency	\geq 40 kHz
Type of protection	IP20

Approval marks



Standards

EN 55015, EN 50082-2, EN 60929, EN 61000-3-2, EN 61347-2-3, EN 61347-2-4, EN 61547, Acc. to EN 50172

Specific technical data

Lamp wattage	Lamp type	Type	Article number	Dimensions L x W x H	Hole spacing D	Lamp power	Circuit power	EEI	Current at 50 Hz		λ at 50 Hz		tc point max.	Ambient temperature ta
									220 V	240 V	220 V	240 V		
For luminaires with 1 lamp														
1 x 36 W	T26 (T8)	PC 1/36 T8 INDUSTRY	89800452	456 x 30 x 28 mm	445 mm	32.0 W	36.5 W	A2	0.17 A	0.16 A	0.96	0.94C	76 °C	-30 ... +70 °C