

PC INDUSTRY, 36 – 80 W

PC INDUSTRY



**Product description**

- \_ CELMA Energy Efficiency Index A2
- \_ T5: Nominal life-time up to 200,000 h (at  $t_a$  50 °C with a failure rate  $\leq$  0.05 % per 1,000 h)
- \_ T8: Average life = 100,000 hours (at max  $t_a$  -10 °C and a failure rate of  $\leq$  0.1 % per 1,000 hours). Average life = 50,000 hours (at max  $t_a$  with a failure rate of  $\leq$  0.2% per 1,000 hours)
- \_ Large temperature range (for values see table)
- \_ Suitable for mains voltage peaks (burst/surge) up to 4 kV
- \_ Constant luminous flux irrespective of fluctuations in mains voltage
- \_ For luminaires of protection class I and protection class II
- \_ Automatic start after replacement of defective lamps
- \_ Safety shutdown of defective lamps and at end of lamp life
- \_ Insulation Displacement Connection (IDC) terminal for rapid automatic or manual wiring
- \_ For emergency lighting systems as per EN 50172
- \_ For luminaires with M and MM as per EN 60598, VDE 0710 and VDE 0711
- \_ Temperature protection as per EN 61347-2-3 C5e
- \_ 8-year guarantee

**Website**

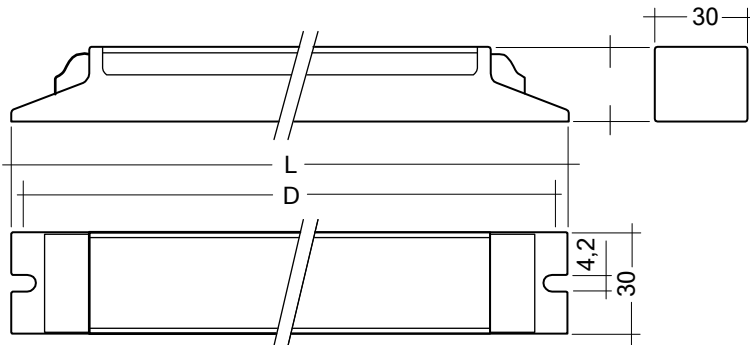
<http://www.tridonic.com/89800457>



**PC INDUSTRY, 36 – 80 W**

PC INDUSTRY

The complete data sheet for this product is available in the Downloads section.



**Ordering data**

Type	Article number	Packaging, carton	Packaging, low volume	Weight per pc.
<b>For luminaires with 2 lamps</b>				
PC 2/49 T5 INDUSTRY	89800457	25 pc(s).	600 pc(s).	0.459 kg

**Technical data**

Mains voltage range	220 – 240 V
AC voltage range	198 – 264 V
DC voltage range	176 – 280 V (lamp start $\geq$ 198 V DC)
Mains frequency	0 / 50 / 60 Hz
Overvoltage protection	320 V AC, 1 h
Defined warm start	$\leq$ 1.5 s
Operating frequency	$\geq$ 40 kHz
Type of protection	IP20

**Approval marks**



**Standards**

EN 55015, EN 50082-2, EN 60929, EN 61000-3-2, EN 61347-2-3, EN 61347-2-4, EN 61547, Acc. to EN 50172

**Specific technical data**

Lamp wattage	Lamp type	Type	Article number	Dimensions L x W x H	Hole spacing D	Lamp power	Circuit power	EEI	Current at 50 Hz		$\lambda$ at 50 Hz		tc point max.	Ambient temperature ta
									220 V	240 V	220 V	240 V		
<b>For luminaires with 2 lamps</b>														
2 x 49 W	T16 (T5)	PC 2/49 T5 INDUSTRY	89800457	456 x 30 x 28 mm	445 mm	98.0 W	107.0 W	A2	0.50 A	0.46 A	0.98	0.97	77 °C	-30 ... +70 °C