

Driver LC 60W 24V SC SNC
ESSENCE series



System solution

Product description

- _ Constant voltage LED Driver
- _ Output voltage 24 V
- _ Max. output power 60 W
- _ Dimmable via PWM LED dimmers
- _ Nominal life-time up to 50,000 h
- _ 5-year guarantee

Typical applications

- _ Cove lighting, facade accent lighting, ceiling integration

Technical details

- _ 24 V, 60 W
- _ Small design (225 x 43 x 30.2 mm) with stretched-compact strain relief
- _ Very good THD performance in wide load range < 5 %
- _ Output LF voltage ripple (< 120 Hz) 1.5 %
- _ Small cross section
- _ Push terminals for simple wiring

System solution

- _ Tridonic LLE-FLEX ADV G2 600, 1,200, 1,800 lm/m
- _ Tridonic LLE-FLEX EXC 600, 1,200, 1,800, 2,500 lm/m
- _ In connection with Flex accessories wire to PCB plug

Website

<http://www.tridonic.com/87500665>



Spotlights



Downlights



Linear



Area



Floor | Wall



Free-standing



Street



Decorative

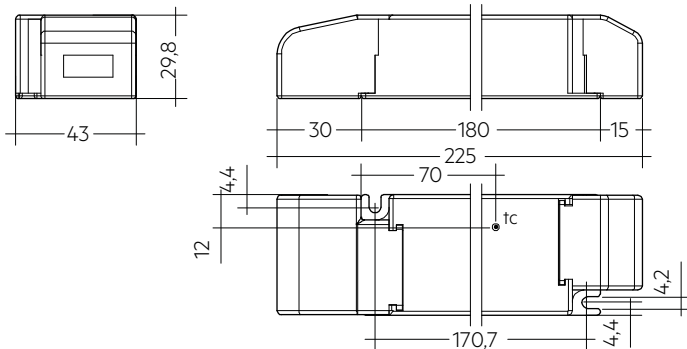


High bay

Driver LC 60W 24V SC SNC

ESSENCE series

The complete data sheet for this product is available in the Downloads section.



Ordering data

Type	Article number	Packaging, carton ²	Packaging, pallet	Packaging, high volume	Weight per pc.
Multi packaging					
LC 60W 24V SC SNC	87500665	10 pc(s).	120 pc(s).	1,200 pc(s).	0.18 kg

Technical data

Rated supply voltage	220 – 240 V
AC voltage range	198 – 264 V
Mains frequency	50 / 60 Hz
Overvoltage protection	320 V AC, 48 h
Typ. rated current (at 230 V, 50 Hz, full load) ^①	291 mA
Leakage current (at 230 V, 50 Hz, full load) ^①	< 267 μ A
Max. input power	67 W
Typ. efficiency (at 230 V, 50 Hz, full load)	92 %
λ (at 230 V, 50 Hz, full load) ^①	0.98C
Typ. input current in no-load operation	47 mA
Typ. input power in no-load operation	1.5 W
In-rush current (peak / duration)	27.7 A / 198 μ s
THD (at 230 V, 50 Hz, full load) ^①	< 4 %
Time to light (at 230 V, 50 Hz, full load) ^①	< 0.5 s
Turn off time (at 230 V, 50 Hz, full load)	< 0.5 s
Hold on time at power failure (output)	0 s
Output voltage tolerance	\pm 1 V
Output LF voltage ripple (< 120 Hz)	\pm 1.5 %
Max. output voltage (U-OUT)	25 V
Burst capability	1 kV
Mains surge capability (between L - N)	1 kV
Mains surge capability (between L/N - PE)	2 kV
Dimensions L x W x H	225 x 43 x 29.8 mm

Approval marks



Standards

EN 55015, EN 61000-3-2, EN 61000-3-3, EN 61347-1, EN 61347-2-13, EN 62384, EN 61547

Specific technical data

Type	Load	Forward voltage	Output current	Max. output power (at 24 V, full load)	Typ. power consumption (at 24 V, full load)	Typ. current consumption (at 24 V, full load)	t _c point max.	Ambient temperature t _a
LC 60W 24V SC SNC	30 %	24 V	0.750 A	18 W	20.6 W	109 mA	75 °C	-20 ... +50 °C
LC 60W 24V SC SNC	55 %	24 V	1.375 A	33 W	36.6 W	171 mA	80 °C	-20 ... +50 °C
LC 60W 24V SC SNC	80 %	24 V	2.000 A	48 W	52.5 W	237 mA	85 °C	-20 ... +50 °C
LC 60W 24V SC SNC	100 %	24 V	2.500 A	60 W	66.0 W	292 mA	85 °C	-20 ... +50 °C

① Valid at 100 % dimming level.

② The strain relief is included in both packaging variants. In the single packaging each Driver has also an individual packaging.